



DATASHEET

DLP2 SERIES

SITE/ROADWAY LUMINAIRE

For Use In

- Street Lighting
- Area Lighting
- Parking Lot Lighting
- Residential Street Lighting
- Walkway Lighting

Features

- High Power LED
- Integrated NEMA BS5972 socket included
- No UV or IR light radiation
- Special batwing and asymmetrical light patterns
- CRI typical 70
- Optimized heat management system
- 100V-277V AC input
- Power factor >95% @220VAC
- Power eff. >85% @220VAC
- Long LED lifetime > 50,000 hours (L 70)
- Operation temperature: -30°C - +50°C

Listing

U.L. Listed to U.S. and Canadian safety standards.
IP65 Rated



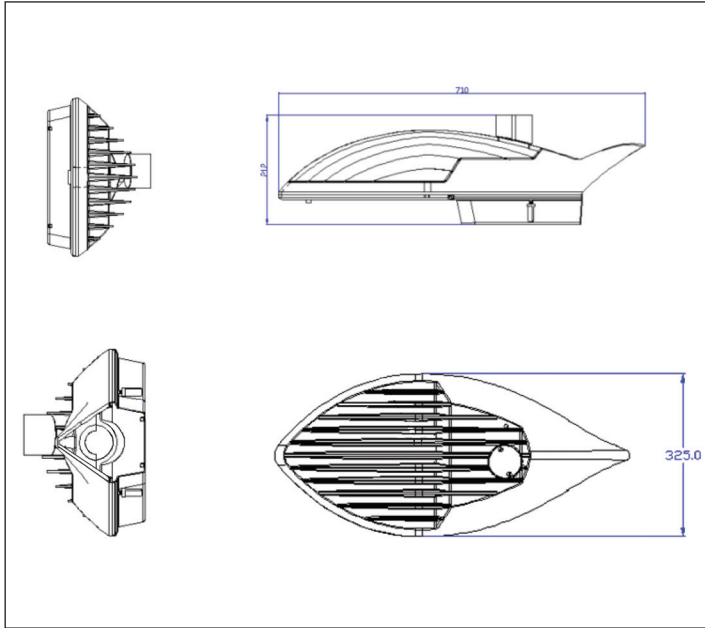
Project	Date
Catalog Number	Type
Notes	



Ordering Information:

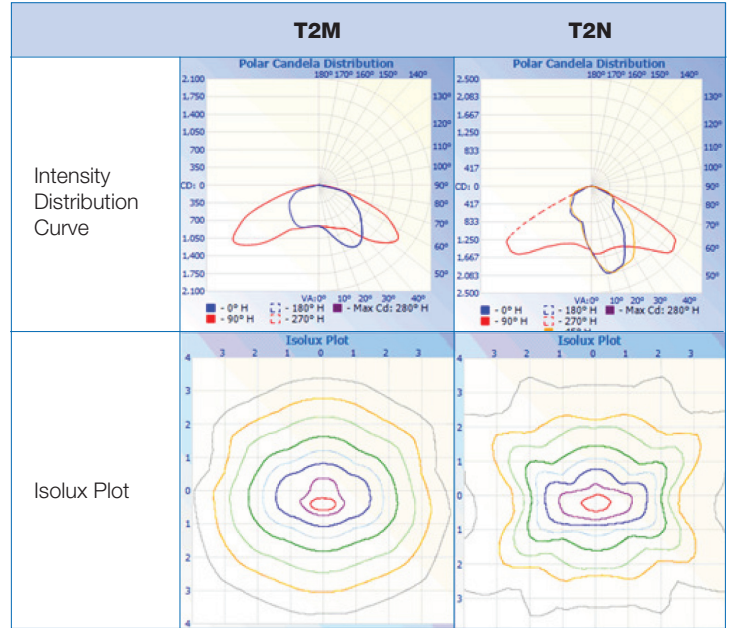
ZDLP2	90W	5000K	T2N	PS	100-277	PC120	TM
Series	Output	Color	Distribution	Finish	Voltage	Photocell	Mounting
	60W 5600 lumen	5000K	T2N Type 2 Narrow	PS Painted Silver	100-277	PC120 120V	TM Tenon Mount
	90W 6300 lumen		T2M Type 2 Medium			PC208 208 - 277V	
	120W 9000 lumen		T3 Type 3				
	150W 12900 lumen		T5 Type 5				

Product Dimensions



- Notes:
1. Dimensions are in millimeters.
 2. Tolerances unless otherwise mentioned is ± 2 mm

Reference Photometric Data



- Notes:
1. The iso lux plot is only a reference for light patterns.
 2. Complete photometric data including .ies files available at www.zenarolighting.com

Product Specifications

Parameter	Description
Light Source	High Power LED
LED CCT	5000K
CRI	70
Lens Material	PMMA Optical Lens
Weight	26 lbs
Power Consumption	70W (60W Mod), 110W (90W Mod), 128W (120W Mod), 165W (150W Mod)
Luminaire Lumens (min)	5600lm (60W), 6300 (90W), 9000lm (120W), 12900 (150W)
Input Voltage	120-277V
Operating Temperature	-30°C - +50°C
Construction / Finish	Aluminum with Anti-corrosive Metallic Lacquer
Listing / IP Rating	CUL /IP65

Disclaimer

1. Information on this data sheet is provided "AS-IS" without warranty of fitness for a particular purpose or noninfringement.
2. Zenaro reserves the right to change specification information without further notice to improve reliability, function or design.
3. When using this product, please observe operating environmental conditions noted. Zenaro assumes no responsibility for products damaged from abuse or use outside recommended or intended application.

Zenaro Lighting Inc.

3610 Quantum Blvd.
 Boynton Beach, FL 33426
 Tel +561-424-2444
 Fax +561-424-2440
www.zenarolighting.com

