

Dolphin Street Lighting Series

Features

- Light source: High Power LED
- NO UV or IR light radiation
- Special batwing and asymmetrical light patterns.
- CRI typical 70
- Optimized heat management system
- 100V-240V AC input
- LED power options of 60, 90, 120, 150W
- Power factor >95% @110VAC
- Power eff. >85% @110VAC
- Long LED lifetime > 50,000 hours (L₇₀)
- IP 65 for light engine & power supply unit
- Operation temperature: -30°C~+50°C
- Easily upgradeable to higher performance light engine

SL-Dolphin/100240AC(UL)

- B type
- UL certified (E326344)



Typical Applications

- Street Lighting
- Area Lighting
- Parking Lot Lighting
- Residential Street Lighting
- Walkway Lighting
- Public Safety Illumination

Housing Picture





Coding of Product Number

SL – Dolphin / 100240AC / Ph 120 B 4A (UL)
1 2 3 4 5 6 7 8

- | | |
|---|---|
| <p>1. <u>Product Series</u>
SL: Solid state lighting</p> <p>2. <u>Lighting Module Type</u>
Dolphin: Dolphin street light series</p> <p>3. <u>Input Voltage</u>
100240AC:100~240AC, 50/60 Hz (for 60, 90, 120W)
100277AC:100~277AC, 50/60 Hz (for 150W)</p> <p>4. <u>Light Engine Type</u>
Ph: SL-Phoenix
Tr: SL-Trex
Ve: SL-Venus</p> | <p>5. <u>LED Power Option</u>
60: 60W
90: 90W
120:120W
150:150W</p> <p>6. <u>Light Engine LED Type</u>
B: B type LED</p> <p>7. <u>Internal Code</u></p> <p>8. <u>Product Safety Certification</u>
(UL): UL listed</p> |
|---|---|

Product Family

Order Code	¹ Luminaire Power Option	Color Temperature	Light Engine Type
SL-Dolphin/100240AC/Ph60B5A(UL)	70W	Typical 5000K	SL-Phoenix series
SL-Dolphin/100240AC/Tr60B5A(UL)			SL-Trex series
SL-Dolphin/100240AC/Ve60B5A(UL)			SL-Venus series
SL-Dolphin/100240AC/Ph90B4A(UL)	90W	Typical 5000K	SL-Phoenix series
SL-Dolphin/100240AC/Tr90B4A(UL)			SL-Trex series
SL-Dolphin/100240AC/Ve90B4A(UL)			SL-Venus series
SL-Dolphin/100240AC/Ph120B4A(UL)	128W	Typical 5000K	SL-Phoenix series
SL-Dolphin/100240AC/Tr120B4A(UL)			SL-Trex series
SL-Dolphin/100240AC/Ve120B4A(UL)			SL-Venus series
SL-Dolphin/100277AC/Ph150B4A(UL)	175W	Typical 5000K	SL-Phoenix series
SL-Dolphin/100277AC/Tr150B4A(UL)			SL-Trex series
SL-Dolphin/100277AC/Ve150B4A(UL)			SL-Venus series

Note:

1. The luminaire power consumption is the typical value measured at 110VAC operating.

Product Specification

Parameter	Description
Light Source	High Power LED
Optical Lens	PMMA Optical Lens ¹
Optical Design	Special Batwing and Asymmetrical Light Patterns
Beam Color	Typical 5000K
Color Rendering Index	Typical 70
Housing	Aluminum with Anti-corrosive Metallic Lacquer
Weight	~10kg (~22 lbs) with Power Supply Unit
Installation Tube Diameter (OD ²)	60 mm (2.36")
Effective Projected Area (EPA)	1.39 square feet
IP Rating	IP 65 for Light Engine & Power Supply

Note:

1. PMMA optical Lens can not be cleaned by organic or acidic solvent. Lens damage caused by organic or acidic solvent may lead to decrease of light output.
2. OD: Outer diameter

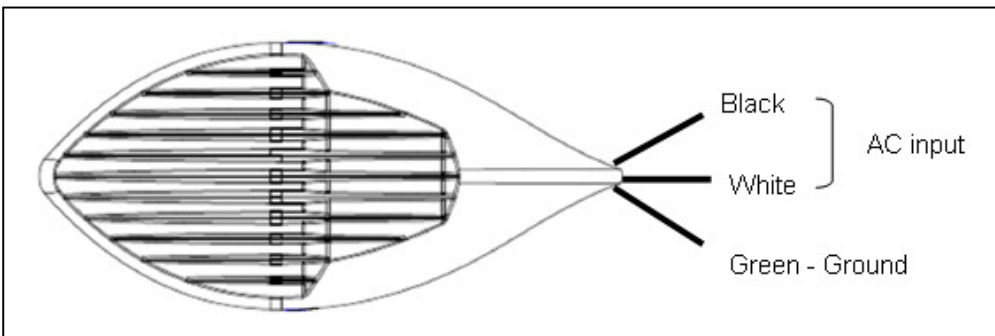
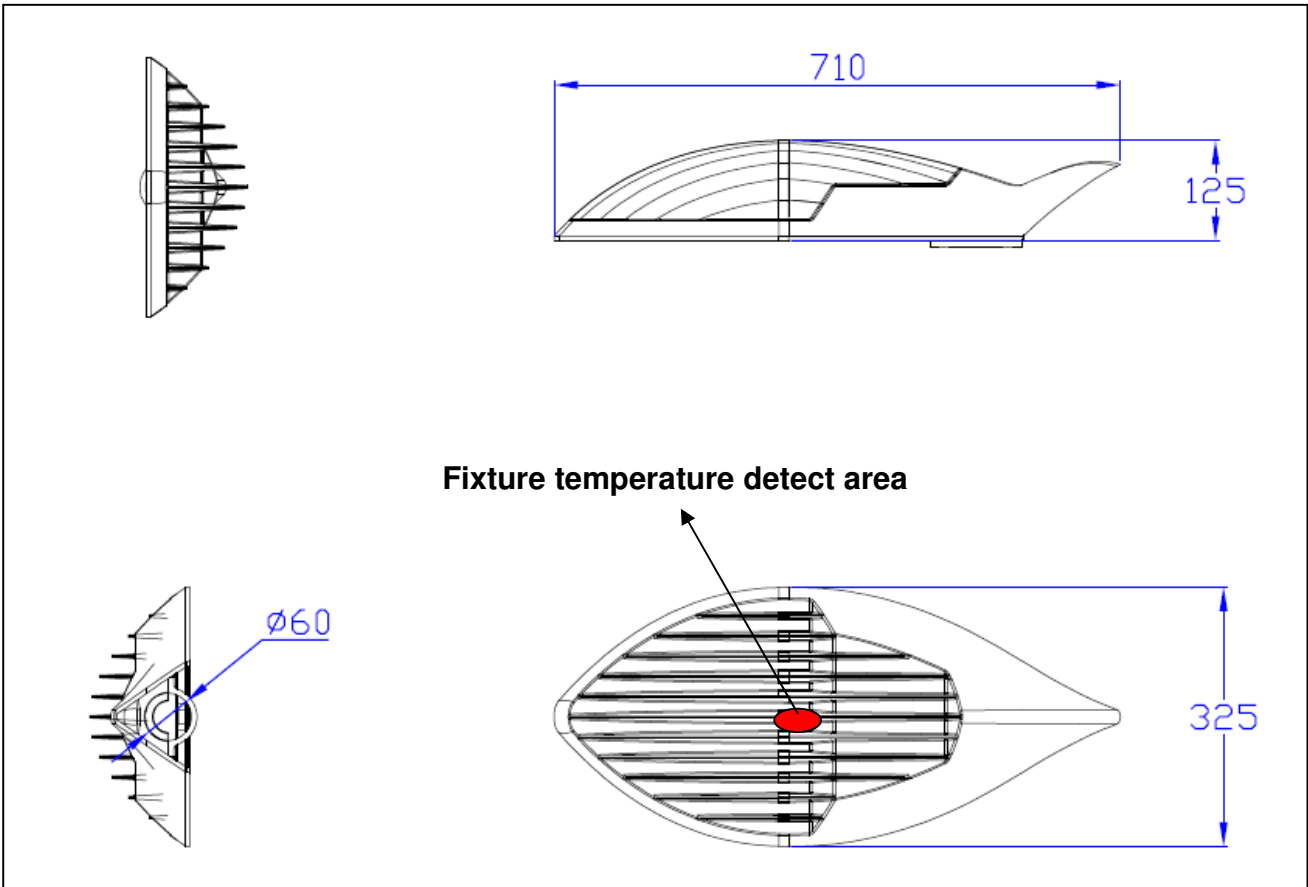
Electro-Optical-Thermal Characteristics ($T_{Ambient}=25^{\circ}C$)

Parameter	Symbol	Property Unit				Unit
¹ Total Power Option	W	~70	~90	~128	~175	Watt
² Initial Luminaire Light Output (Typical 5000K)	Φ_v	Minimum 5600	Minimum 6300	Minimum 9000	Minimum 12900	lm
³ Fixture Temperature	T_f	~40	~45	~50	~55	$^{\circ}C$
Input Voltage (AC)	VAC	100~240			100~277	V
Operating Temperature	T_a	-30~+50				$^{\circ}C$
Storage Temperature	T_{stg}	-30~+60				$^{\circ}C$

Note:

1. The luminaire power consumption is the maximum value measured at 110VAC operating.
2. Luminaire light output is measured at $T_a=25^{\circ}C$ by following LM-79 standard and maintains a tolerance of +/- 10% on flux and power measurements..
3. The fixture temperature of SL-Dolphin series is measured under good natural convection and at $T_a=25^{\circ}C$.

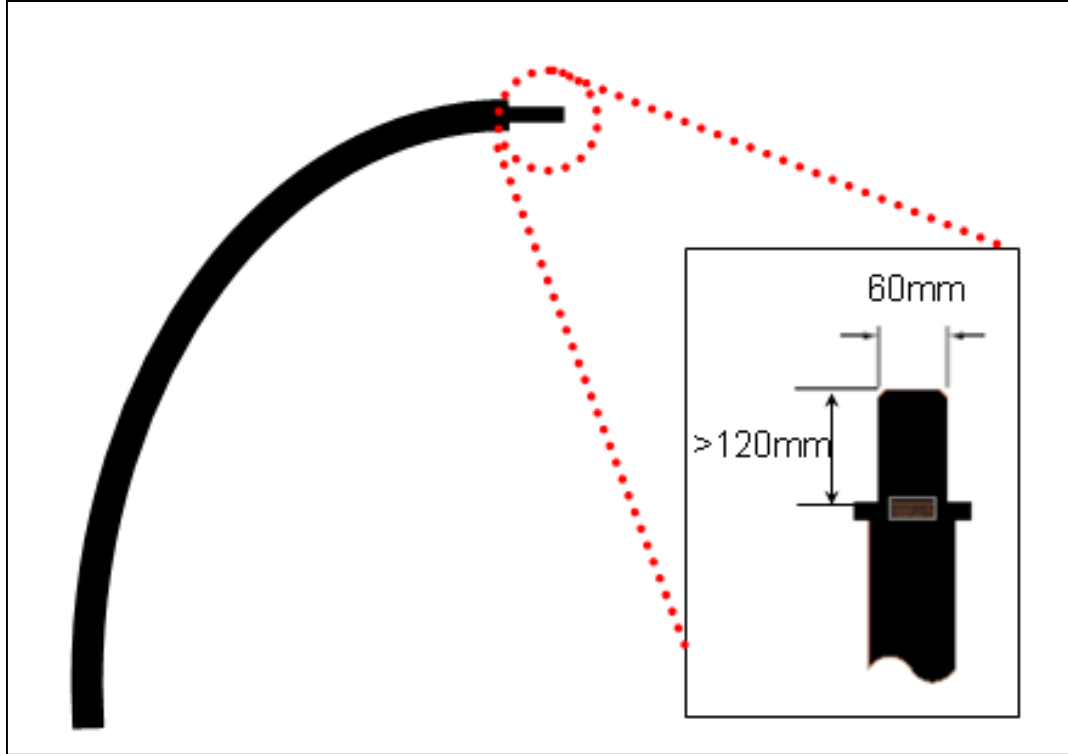
Product Dimension: 710(L)X325(W)X125(H) mm



Notes:

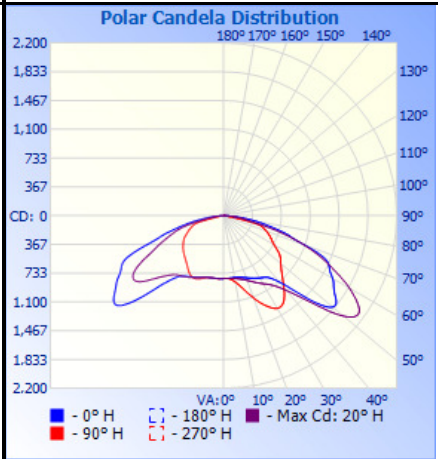
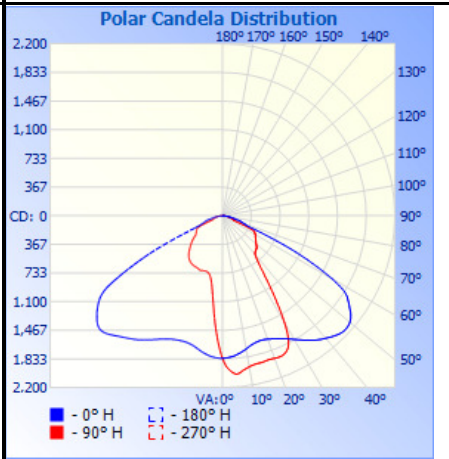
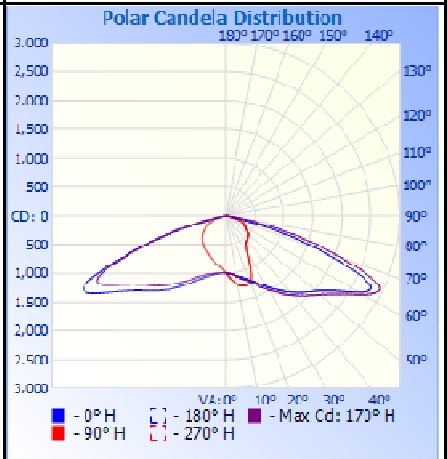
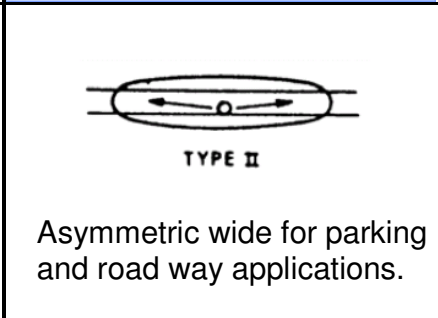
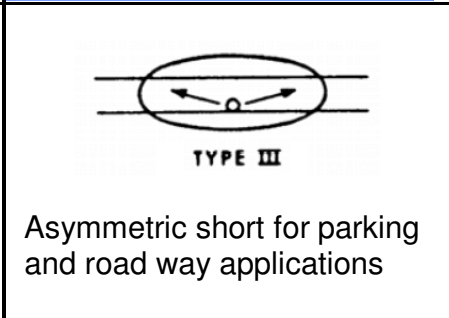
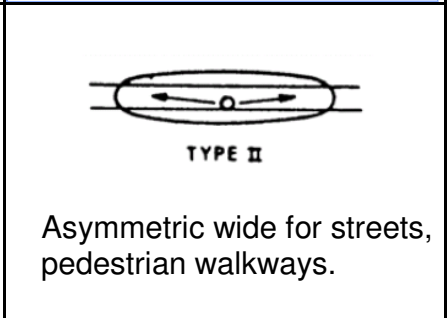
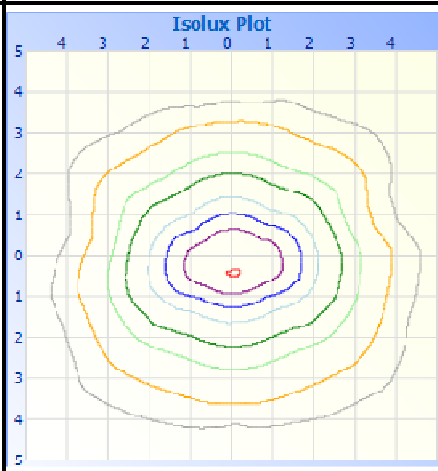
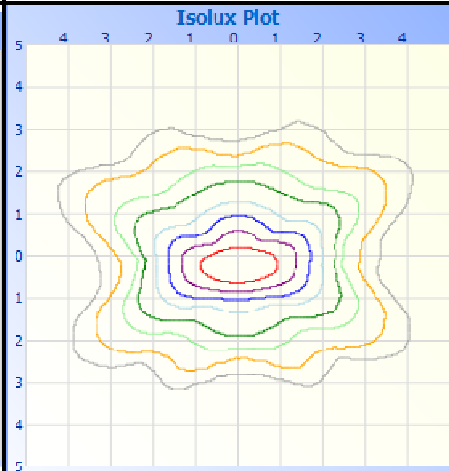
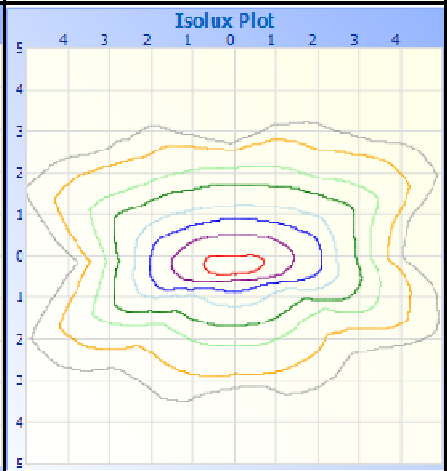
1. Dimensions are in millimeters.
2. Tolerances unless otherwise mentioned is ± 2 mm.

Installation Pole Specifications



Everlight Dolphin Street Light Illumination Characteristics

Intensity Distribution Curve Choices

Light Engine Type	SL-Phoenix series	SL-Trex series	SL-Venus series
Intensity Distribution Curve	 <p>Polar Candela Distribution 180° 170° 160° 150° 140° 2.200 1.833 1.467 1.100 733 367 CD: 0 367 733 1.100 1.467 1.833 2.200 VA: 0° 10° 20° 30° 40° ■ - 0° H □ - 180° H ■ - Max Cd: 20° H ■ - 90° H □ - 270° H</p>	 <p>Polar Candela Distribution 180° 170° 160° 150° 140° 2.200 1.833 1.467 1.100 733 367 CD: 0 367 733 1.100 1.467 1.833 2.200 VA: 0° 10° 20° 30° 40° ■ - 0° H □ - 180° H ■ - Max Cd: 20° H ■ - 90° H □ - 270° H</p>	 <p>Polar Candela Distribution 180° 170° 160° 150° 140° 3.000 2.500 2.000 1.500 1.000 500 CD: 0 500 1,000 1.500 2,000 2.500 3.000 VA: 0° 10° 20° 30° 40° ■ - 0° H □ - 180° H ■ - Max Cd: 170° H ■ - 90° H □ - 270° H</p>
Application	 <p>TYPE II Asymmetric wide for parking and road way applications.</p>	 <p>TYPE III Asymmetric short for parking and road way applications</p>	 <p>TYPE II Asymmetric wide for streets, pedestrian walkways.</p>
Isolux	 <p>Isolux Plot 5 4 3 2 1 0 1 2 3 4 5 4 3 2 1 0 1 2 3 4 5 4 3 2 1 0 1 2 3 4 5 4 3 2 1 0 1 2 3 4 5 4 3 2 1 0 1 2 3 4</p>	 <p>Isolux Plot 5 4 3 2 1 0 1 2 3 4 5 4 3 2 1 0 1 2 3 4 5 4 3 2 1 0 1 2 3 4 5 4 3 2 1 0 1 2 3 4 5 4 3 2 1 0 1 2 3 4</p>	 <p>Isolux Plot 5 4 3 2 1 0 1 2 3 4 5 4 3 2 1 0 1 2 3 4 5 4 3 2 1 0 1 2 3 4 5 4 3 2 1 0 1 2 3 4 5 4 3 2 1 0 1 2 3 4</p>

Notes:

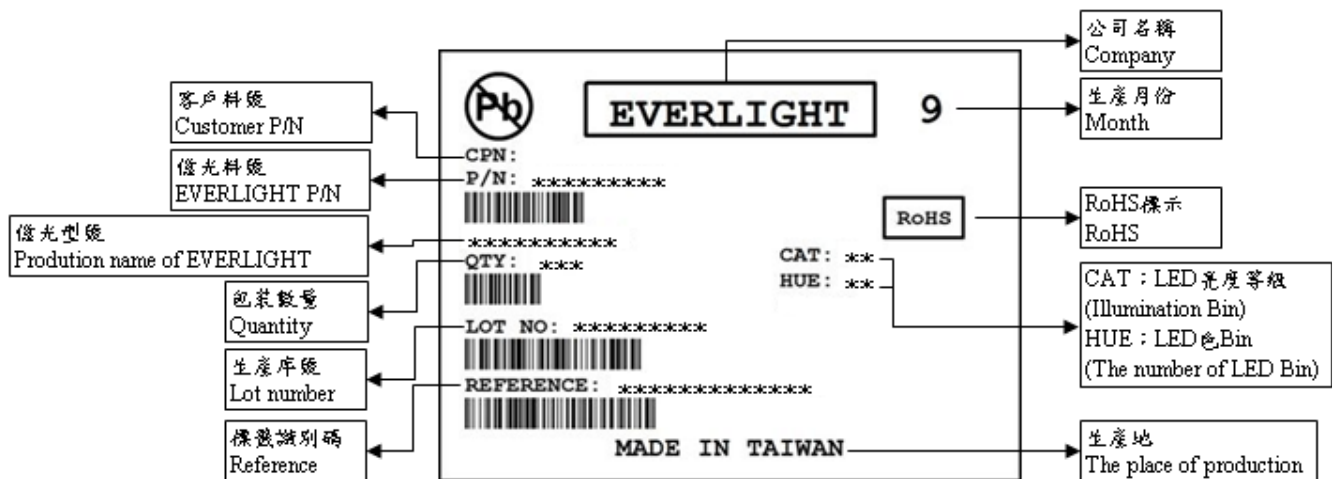
1. The iso lux plot is only a reference for light patterns.
2. To get more information about lux vs. mounting height please refer to "SL-Dolphin Installation Instruction".

Carrier Specifications :

1. Carton size: 770(L) x 420(W) x 180(H) mm
2. Overall weight:~12 Kg/~26lbs (with package)



Label Explanation



Note:

1. To make sure you get the latest product information, please request the newest specification sheet from Everlight when you place any inquiry or purchase an order.
2. Before installing, please refer to the separate document, "SL-Dolphin Series Installation Instruction".