

# DATASHEET

## SLPAR38B SERIES

### PAR38 RETROFIT LAMP

#### For Use As

- Office lighting
- Commercial lighting
- Residential and hospitality lighting

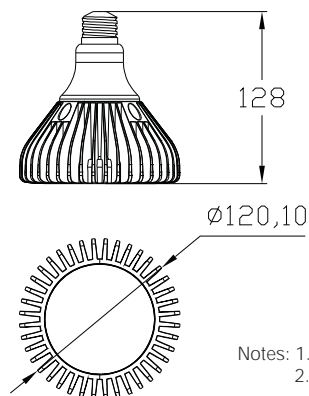
#### Features

- No UV or IR light radiation
- Provides 10°, 25° and 50° beam angles
- Optimized heat fins with sleek design
- Operation temperature: -20°C – +40°C
- Long lifetime: 40000 hours (L70)
- E26 / E27 screw base

#### Listing

U.L. Listed to U.S. and Canadian safety standards.  
 IP65 Rated

#### Product Dimensions

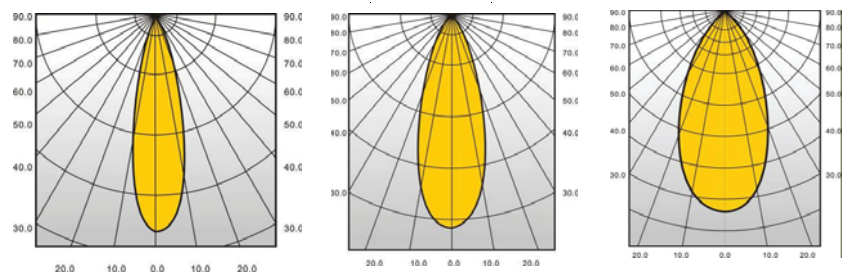


Notes: 1. Dimensions are in millimeters  
 2. Tolerances unless otherwise mentioned ±0.5mm

Project	Date
Catalog Number	Type
Notes	



#### Light Intensity Distribution



10° NSP

25° NFL

50° FL

#### Ordering Information:

RSLPAR38B	16W	2700K	ND	25
Series	Output	Color	Dimming	Beam Spread
	16W Standard	2700K	ND Non Dimmable	10 10° NSP
		4000K	TD Triac Dimming	25 25° NFL
				50 50° FL



## Luminance and Technical Data

Light Color	Inc white / 2700K	Inc white / 2700K	Inc white / 2700K
Luminous Flux (Typ)	881 lm	881 lm	881 lm
CBCP (cd)	10000cd	3400cd	1200cd
Beam Angle	10°	25°	50°
CRI	> 80	> 80	> 80
Input Voltage/ Frequency	100-240VAC	100-240VAC	100-240VAC
Power Consumption	16W	16W	16W
Dimmability	ND or TD	ND or TD	ND or TD
Lamp-Holder	E26 / E27	E26 / E27	E26 / E27
Mechanical Dimensions	Ø121 x 128mm	Ø121 x 128mm	Ø121 x 128mm
Maximum Weight	510g	510g	510g
Storage Temperature	-30°C - +80°C	-30°C - +80°C	-30°C - +80°C

Light Color	Cool white / 4000K	Cool white / 4000K	Cool white / 4000K
Luminous Flux (Typ)	1060 lm	1060 lm	1060 lm
CBCP (cd)	14000cd	4000cd	1600cd
Beam Angle	10°	25°	50°
CRI	> 80	> 80	> 80
Input Voltage/ Frequency	100-240VAC	100-240VAC	100-240VAC
Power Consumption	16W	16W	16W
Dimmability	ND or TD	ND or TD	ND or TD
Lamp-Holder	E26 / E27	E26 / E27	E26 / E27
Mechanical Dimensions	Ø121 x 128mm	Ø121 x 128mm	Ø121 x 128mm
Maximum Weight	510g	510g	510g
Storage Temperature	-30°C - +80°C	-30°C - +80°C	-30°C - +80°C

Luminous Flux measurement tolerance ± 10%

## Supported Dimmer List

Manufacturer	Model	Volt / Freq (V/Hz)
Lutron	S-600	120/60
Lutron	DV-600P	120/60
Lutron	S-600PEH	120/60
Lutron	GL-600P	120/60

Zenaro Lighting Inc.  
3610 Quantum Blvd.  
Boynton Beach, FL 33426  
Tel +561-424-2444  
Fax +561-424-2440  
www.zenarolighting.com

## Disclaimer

- Information on this data sheet is provided "AS-IS" without warranty of fitness for a particular purpose or noninfringement.
- Zenaro reserves the right to change specification information without further notice to improve reliability, function or design.
- When using this product, please observe operating environmental conditions noted. Zenaro assumes no responsibility for products damaged from abuse or use outside recommended or intended application.

